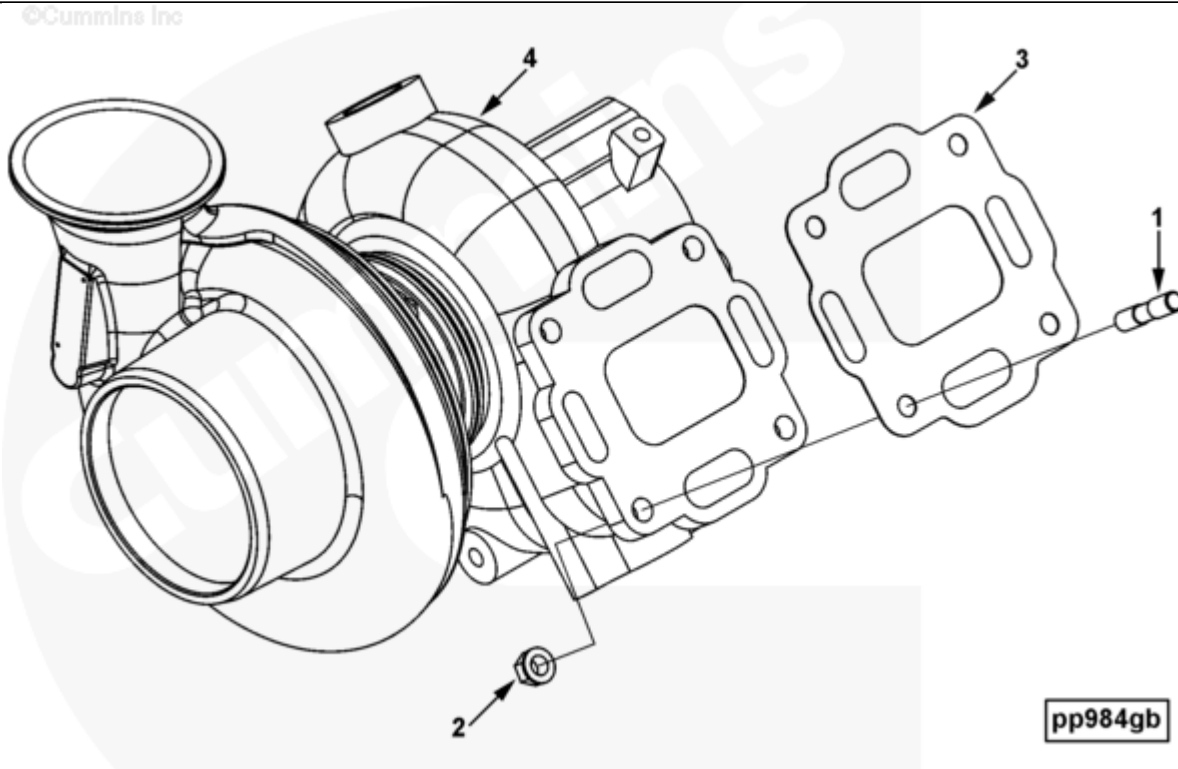




## Parts Catalog - Option Detail

Electronic Parts Catalog - Option Detail				
Option	Group	Graphic	Film Card	Date
PP99014-02	10.05	pp984gb	Z	30-JUL-13
<b>Engines</b>	6C8.3, C GAS PLUS CM556, G8.3, G8.3 CM558, GTA8.3 CM558, ISC CM2150, ISC CM554, ISC CM850, ISC8.3 CM2250, ISC8.3 G CM2180 C101, ISL CM2150, ISL CM554, ISL CM850, ISL G CM2180, ISL8.9 CM2150 L110, ISL8.9 CM2880 L112, ISL9 CM2150 SN, ISL9 CM2250, ISL9 CM2350 L101, ISL9 CM2350 L111, ISLE4 CM850, L GAS PLUS CM556, L8.9, L8.9 L121, L8.9G CMOH2.0 L125B, L9 CM2350 L116B, L9 CM2350 L119B, L9 CM2350 L120C, L9 CM2350 L123B, L9.3 L105, L9.5 L117, L9N CM2380 L124B, QSC8.3 CM2250, QSC8.3 CM2880 C102, QSC8.3 CM554, QSC8.3 CM850(CM2850), QSL9 CM2250, QSL9 CM2250 L115, QSL9 CM2350 L102, QSL9 CM2350 L107, QSL9 CM2350 L118, QSL9 CM2350 L122, QSL9 CM554, QSL9 CM850(CM2850), QSL9 G CM558, QSL9 M CM2250 L106, QSL9.3 CM2880 L113			



[SMALL](#) | [MEDIUM](#) | [LARGE](#)

Cart	Ref No	Part Number	Part Description	Required	Remarks
<a href="#">View My Cart</a>					
		PP99014-02	Turbocharger		<a href="#">Turbocharger...(More)</a>
					Turbocharger Location: RMSO
					Exhaust Outlet Flange Type:
					4 Bolt
					Turbocharger Type: Wastegate

					Turbocharger Wheel Material:
					Aluminum
					Turbocharger Model: HX55WM
					Compressor Outlet Flange
					Type: Half Marmon
					Compressor Outlet On Engine
					Location (Deg): 90 Down From
					Horizontal
					Turbocharger Mounting Flange:
					Water Cooled
					Base Turbocharger ID 70 P/N:
					4043577
					Wastegate Pressure Setting
					(BAR): 2.50
					SPIG Orientation (Deg): 270
					Wastegate Bracket
					Orientation: Low
<input type="checkbox"/>	1	<a href="#">3095798</a>	Double End Plain Stud	4	
<input type="checkbox"/>	2	<a href="#">3818824</a>	Hexagon Flange Nut	4	M10 X 1.50.
<input type="checkbox"/>	3	<a href="#">3921926</a>	Turbocharger Gasket	1	
		<a href="#">4043580</a>	Turbocharger	1	
	4	<a href="#">4043577</a>	Turbocharger	1	
<input type="checkbox"/>		<a href="#">4955500</a>	Turbocharger Kit	A/R	
		<a href="#">4043580</a>	Turbocharger	1	
		<a href="#">4032518</a>	Turbocharger Gasket Kit	1	
<input type="checkbox"/>		<a href="#">3519807</a>	Turbocharger Gasket	1	
<input type="checkbox"/>		<a href="#">3921926</a>	Turbocharger Gasket	1	
<input type="checkbox"/>		<a href="#">4934280</a>	Sealing Washer	1	

<input type="checkbox"/>		<a href="#">4031412</a>	Turbocharger Actuator Kit	A/R	
<input type="checkbox"/>		<a href="#">3528204</a>	Regular Hexagon Nut	2	1/4 - 28 UNF.
<input type="checkbox"/>		<a href="#">3528221</a>	Retaining Ring	1	
		<a href="#">3528414</a>	Regular Hexagon Jam Nut	1	
<input type="checkbox"/>		<a href="#">3535215</a>	Hose Clamp	2	
		<a href="#">3580534</a>	Turbocharger Actuator Service Tool	1	
		<a href="#">3595085</a>	Turbocharger Actuator	1	
		<a href="#">3597518</a>	Adjusting Link End	1	

© 2019 Cummins Inc., Box 3005, Columbus, IN 47202-3005 U.S.A.  
Terms of Use and Disclaimers | Recommended System Requirements  
Need Assistance? Please click on the Contact Us button in the top right corner of any page.